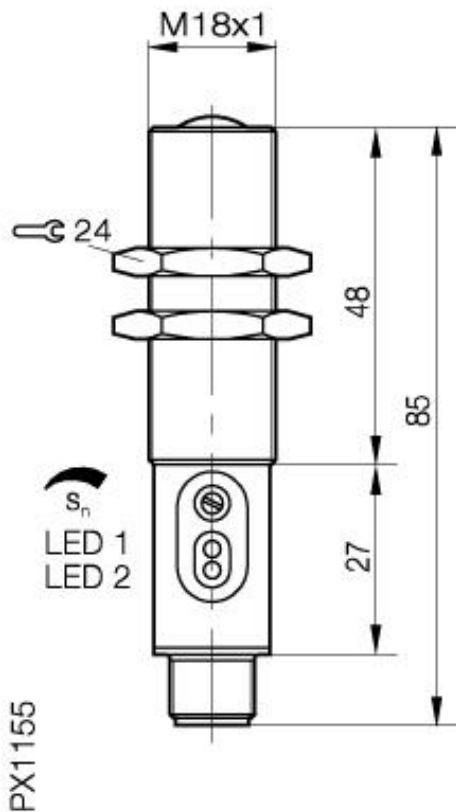


Photoelectric Sensor
BLE 18M-BA-1LT-S 4-C
Sn=50000mm
Laser-through-beam



Common Data

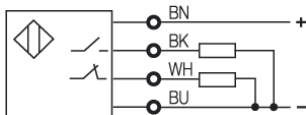
Series	18M
Sensortype	Laser-through-beam
Switching frequency	6000 Hz
Rated operating distance Sn in mm	50000
asured operating distance Sa	50000
Repeat accuracy	< 5% from Sn
Hysteresis	< 15%
Indication Supply Voltage	no
Indication Switching element on	yes
Indication Special funktion	Stability indication
Ambient temperature	-10...+50°C
Light	Laser, red
Wavelength / Laser protection class	660nm, Protection class 2
Sensitivity Adjustment	Poti
Output function	light-on or dark-on

Mechanical Data

Measurements	M18x85
Shock	Halfsinus, 30gn, 11ms
Vibration	10...55Hz, 1,5mm Amplitude 3x2h
Housing material	nickel plated brass
Material of sensing face	Glass
Degree of protection	IP65
Connection	Connector S4 (M12)

Electrical Data

Current	DC
Switching function	NO/NC
Output	PNP
Rated operational voltage Ue	24V DC
Rated operational current Ie	200mA
Supply Voltage	10...30V DC
Ripple	< 10% from UB
Frequency of Supply Voltage	DC
Voltage drop	<2,5V
Short protection	yes
Protected against polarity reversal	yes
Rated insulation voltage	250V DC
max. Load capacity	1µF



Utilization categories
 Insulation class

Datasheet number:

Definitions see general catalog.
 If not otherwise noted, ratings according to
 IEC 60947-5-2 (DIN EN60947-5-2)

Balluff GmbH
 Schurwaldstrasse 9
 73765 Neuhausen a.d.F.
 Phone (07158) 173-0 Fax (07158) 5010

Datenblatt by CD-ROM - 04/2007

BALLUFF
 sensors worldwide